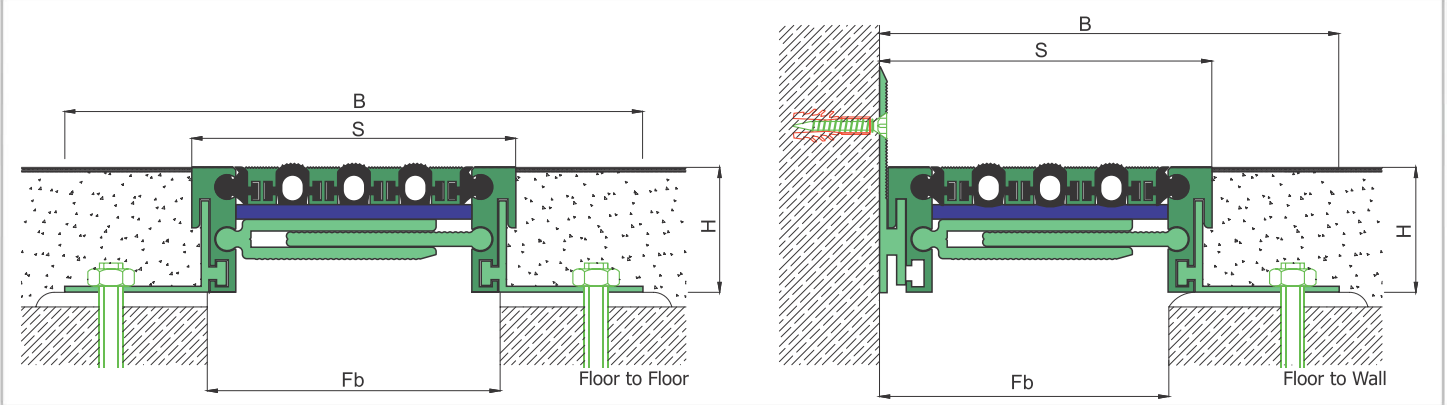
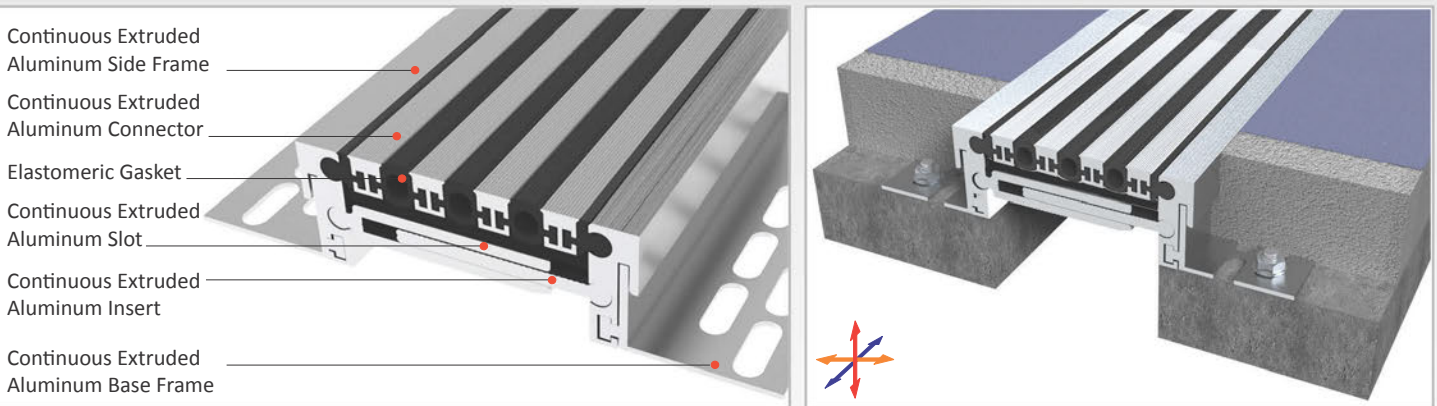




AS A226 flush mounted profiles can easily be applied to all types of floors and load bearing capacities are designed for heavy vehicles, cars or pedestrians depending on the gap inquired. Adjustable interlocking profile and gasket configuration makes it available for very large openings and enables to meet displacements in 3 directions. If inquired, AS A226 can be applied with wall type AS A126 and this dual application brings in a decorative aspect. Profiles are delivered factory-assembled.

- Application Areas** : Indoor & Outdoor / Floor  
**Ideal for** : Factories, Warehouses, Car Parks, Shopping Malls, Airports, Residences, Hospitals, Hotels, Public & Commercial Buildings etc.  
**Material** : Mill Finish Aluminum (Anodizing optional), TPE Gasket  
**Aluminum Alloy** : 6063 AA-USA / EN AW 6063  
**Optional Supplies** : Fire Barrier, Waterproof EPDM membrane

**FLOOR**



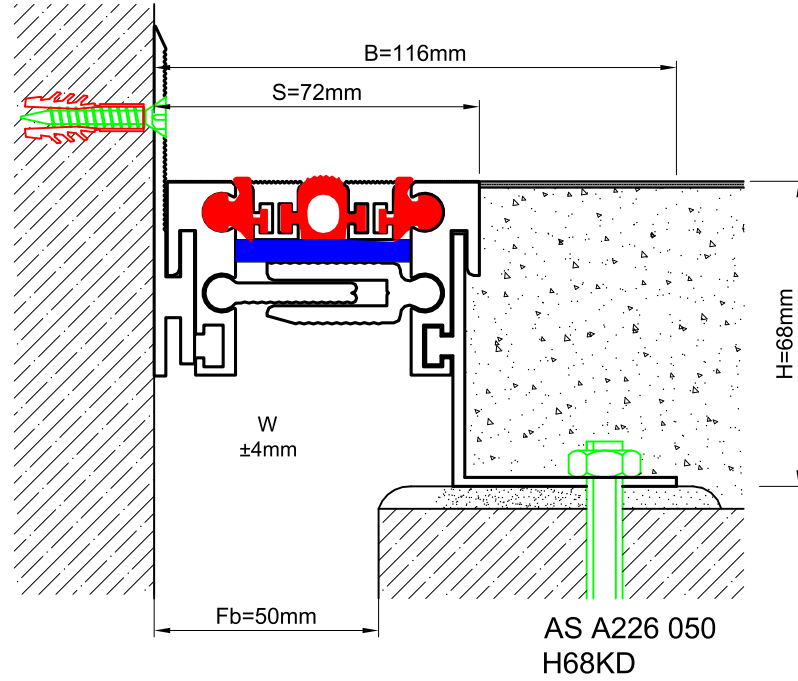
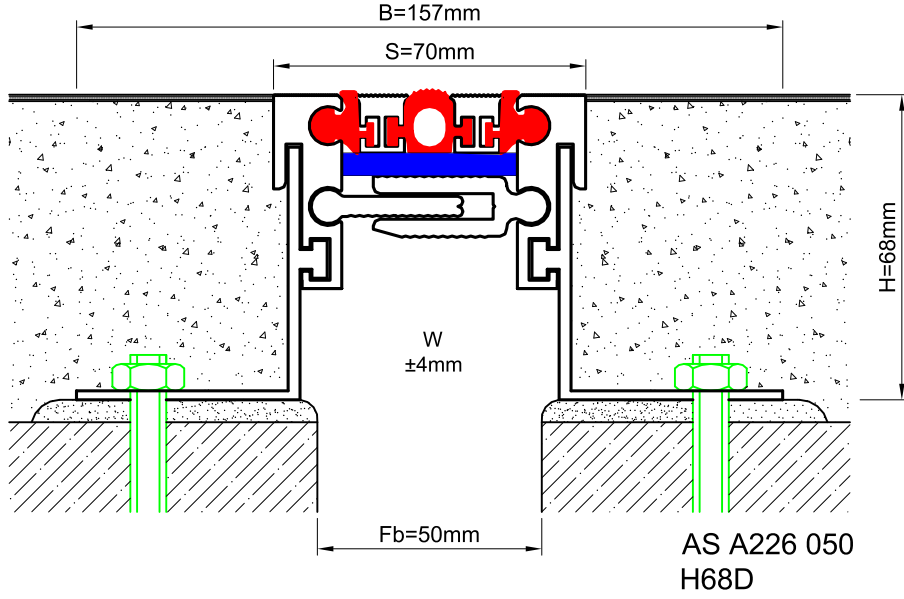
\* Visuals are representative and the profile configuration may differ depending on the characteristics requested.



GASKET COLORS: BLACK (highlighted), GREY, BEIGE, Custom Colors available.

| LOCATION       | MODEL       | GAP (Fb) mm | HEIGHT (H) MM     | OVERALL WIDTH (B) mm | VISIBLE WIDTH (S) mm | MOVEMENT (W) mm | LOAD CAPACITY | STANDARD LENGTH (mt) |
|----------------|-------------|-------------|-------------------|----------------------|----------------------|-----------------|---------------|----------------------|
| Floor to Floor | AS A226-035 | 35          | 43 / 58 / 68 / 88 | 135                  | 48                   | ± 2             | 70 kN  300 kN | 3                    |
|                | AS A226-050 | 50          | 43 / 58 / 68 / 88 | 158                  | 70                   | ± 4             | 35 kN  120 kN | 3                    |
|                | AS A226-080 | 80          | 43 / 58 / 68 / 88 | 180                  | 92                   | ± 6             | 25 kN  60 kN  | 3                    |
|                | AS A226-100 | 100         | 43 / 58 / 68 / 88 | 200                  | 112                  | ± 8             |               | 3                    |
|                | AS A226-120 | 120         | 43 / 58 / 68 / 88 | 220                  | 133                  | ± 10            |               | 3                    |
|                | AS A226-140 | 140         | 43 / 58 / 68 / 88 | 240                  | 153                  | ± 12            |               | 3                    |
|                | AS A226-160 | 160         | 43 / 58 / 68 / 88 | 268                  | 180                  | ± 14            |               | 3                    |
|                | AS A226-180 | 180         | 43 / 58 / 68 / 88 | 280                  | 193                  | ± 16            |               | 3                    |
|                | AS A226-200 | 200         | 43 / 58 / 68 / 88 | 305                  | 218                  | ± 18            |               | 3                    |

Note: Please ask for different sizes





| Profil No<br>Profile Number                 | AS A226 050  | AS A226 050K  |
|---|--|---|
| Fb (mm)                                     | 50   | 50  |
| H (mm) yaklaşık<br>approx.                  | 68   | 68  |
| W± (mm) yaklaşık<br>approx.                 | ±4   | ±4  |
| Renk<br>Color                               | Alüminyum: Natürel, Fitiller: Siyah, gri, diğer<br>Aluminum: Natural, Inserts: Black, grey, others |   |
| Malzeme<br>Material                         | Alüminyum, TPE Termoplastik Elastomer<br>Aluminum, TPE Thermoplastic Elastomer                     |   |
| Standart Uzunluk<br>Standard Length         | 3  |   |
| Yükleme Kapasitesi<br>Load-Bearing Capacity | 35kN            | 120kN  |